



PARTS BREAKDOWN

INVERTER GENERATOR

MODEL: PA-GI7500i



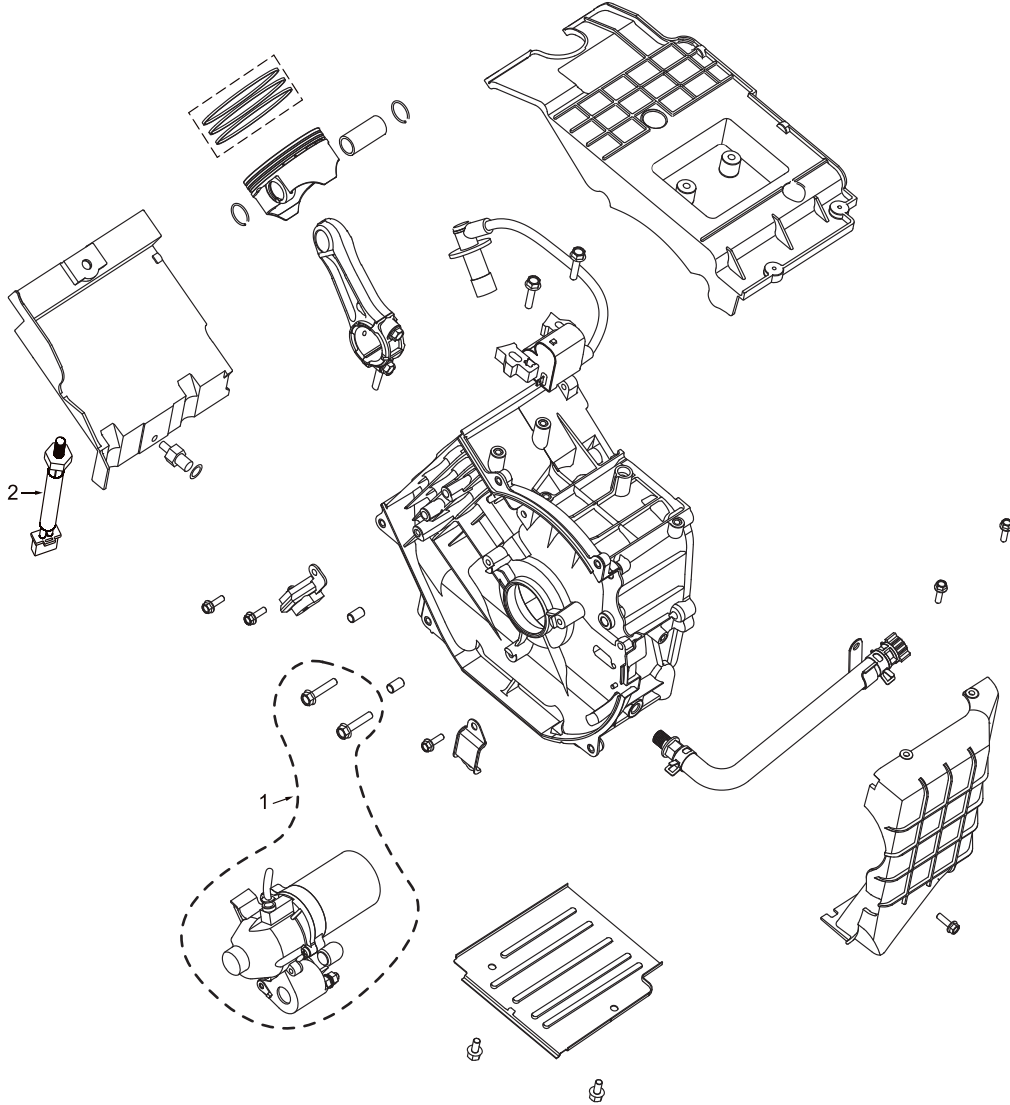


PARTS BREAKDOWN

INVERTER GENERATOR

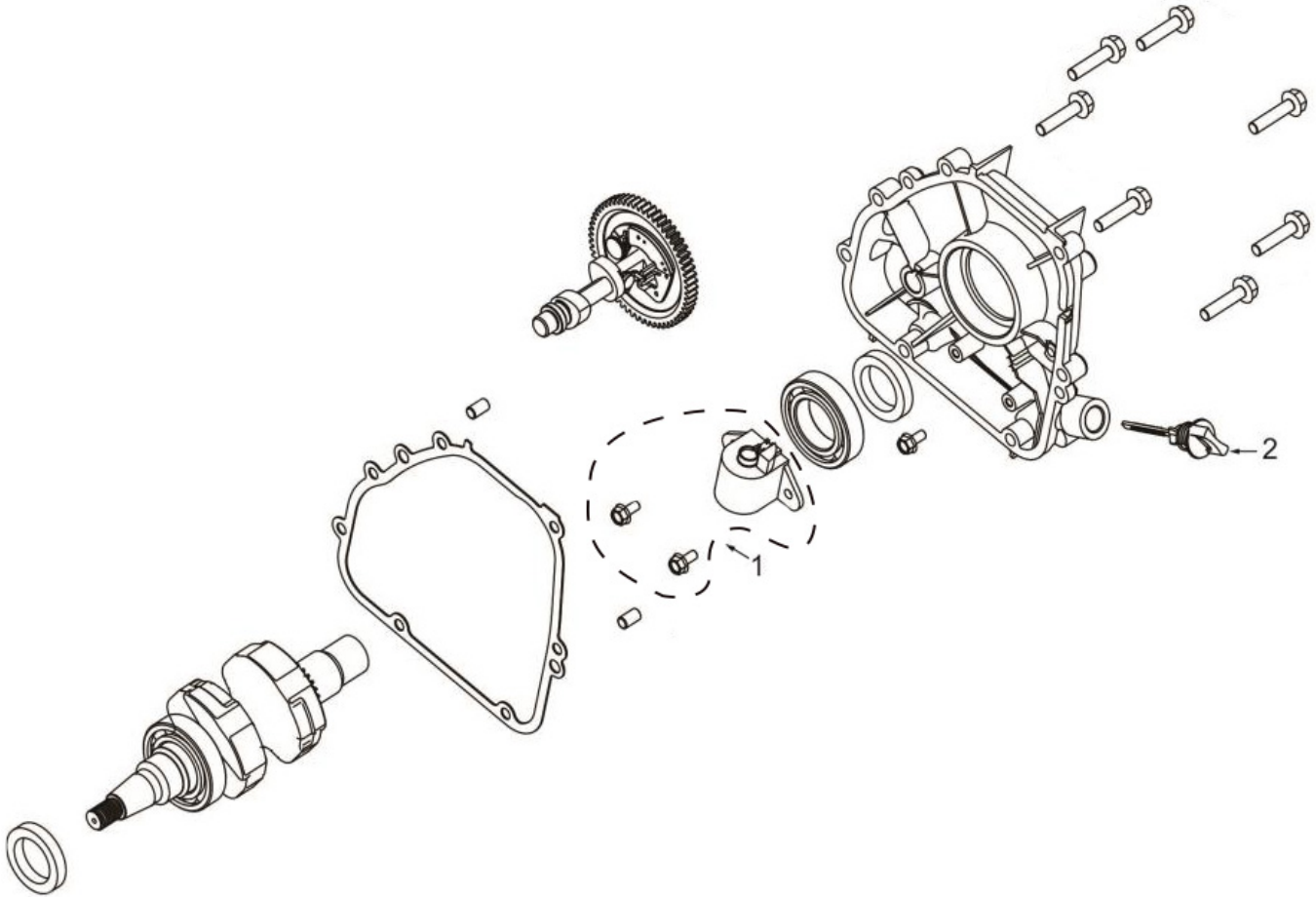
MODEL: PA-GI7500i

CRANKCASE



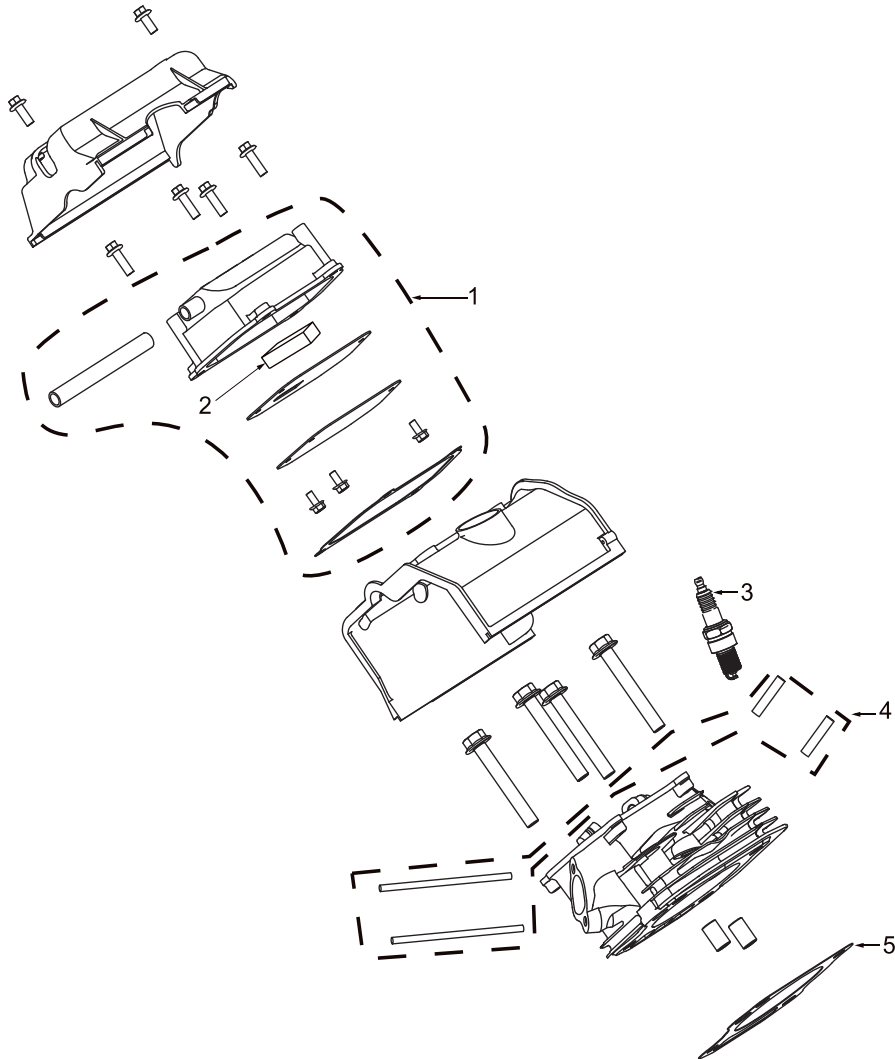
REF #	DESCRIPTION	QTY	PART #
1	STARTING MOTOR W/BOLTS	2	PA-P85561052
2	TEMPERATURE SENSOR	1	PA-P85561030

CRANKCASE COVER



REF #	DESCRIPTION	QTY	PART #
1	LOW OIL SENSOR	1	PA-P85561092
2	MAGNETIC DIPSTICK	1	PA-P85561017

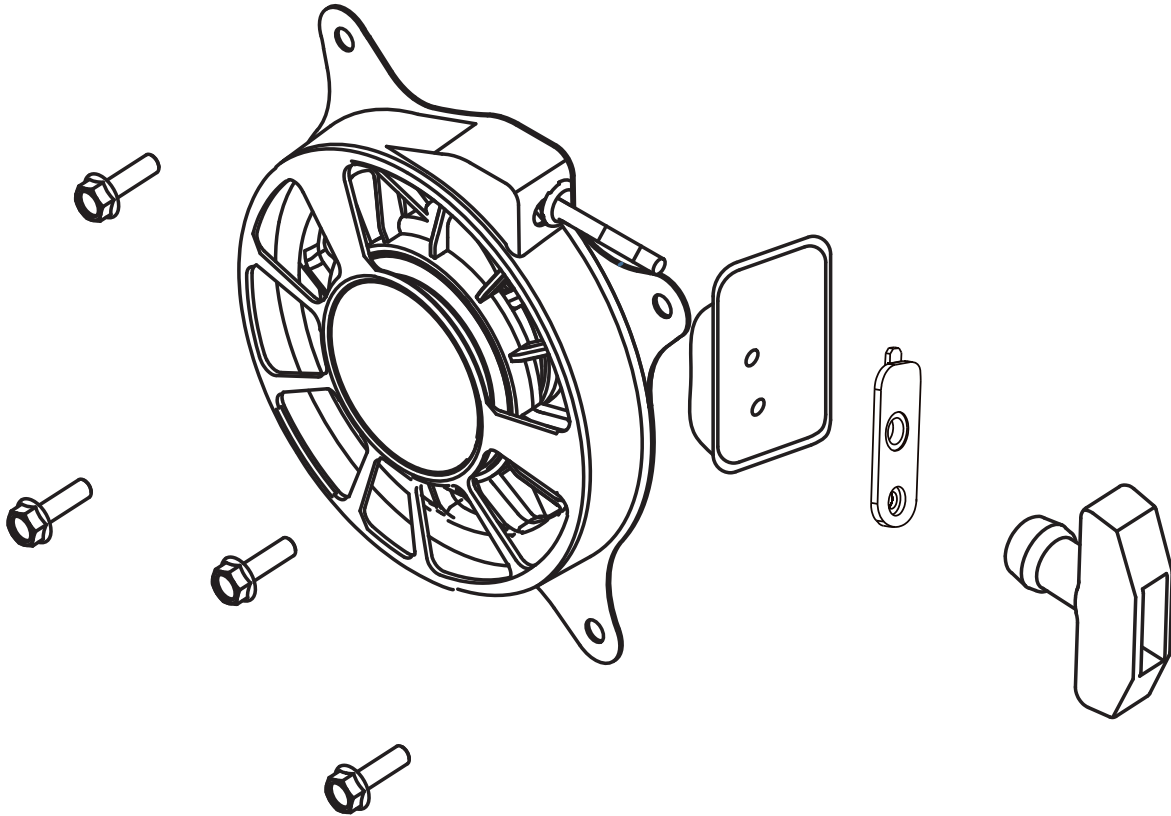
CYLINDER HEAD PARTS



REF #	DESCRIPTION	QTY	PART #
1	CYLINDER HEAD COVER ASSEMBLY	1	PA-P85561114
2	OIL CONDENSER	1	PA-P85561118
3	SPARK PLUG	1	PA-P85561115
4	INTAKE/EXHAUST STUD SET	2+2	PA-P85561116
5	CYLINDER HEAD GASKET	1	PA-P85561117

MODEL: PA-GI7500i

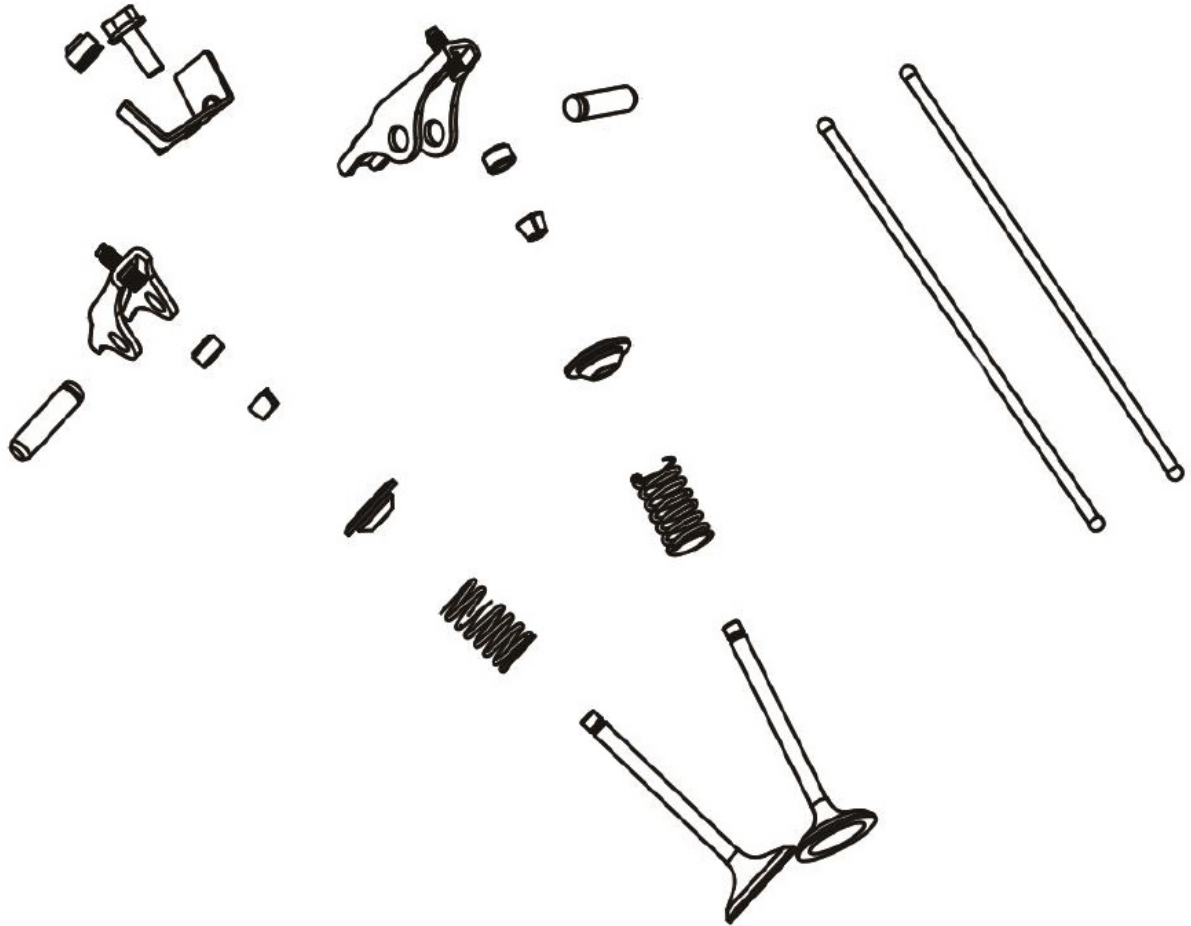
ENGINE STARTER



REF #	DESCRIPTION	QTY	PART #
1	RECOIL ASSEMBLY	1	PA-P85561064

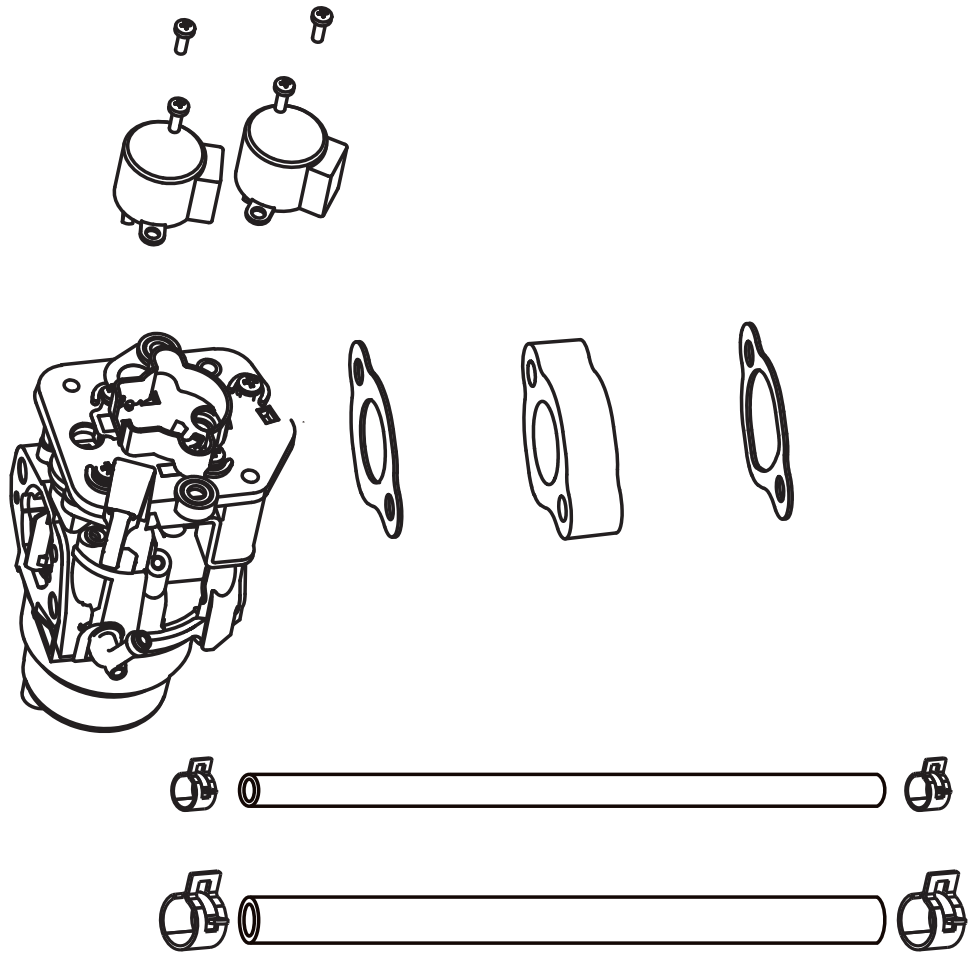
MODEL: PA-GI7500i

VALVE SET



REF #	DESCRIPTION	QTY	PART #
1	VALVE SET	1	PA-P85561119

CARBURETOR ASSEMBLY



REF #	DESCRIPTION	QTY	PART #
1	CARBURETOR ASSEMBLY	1	PA-P85561065

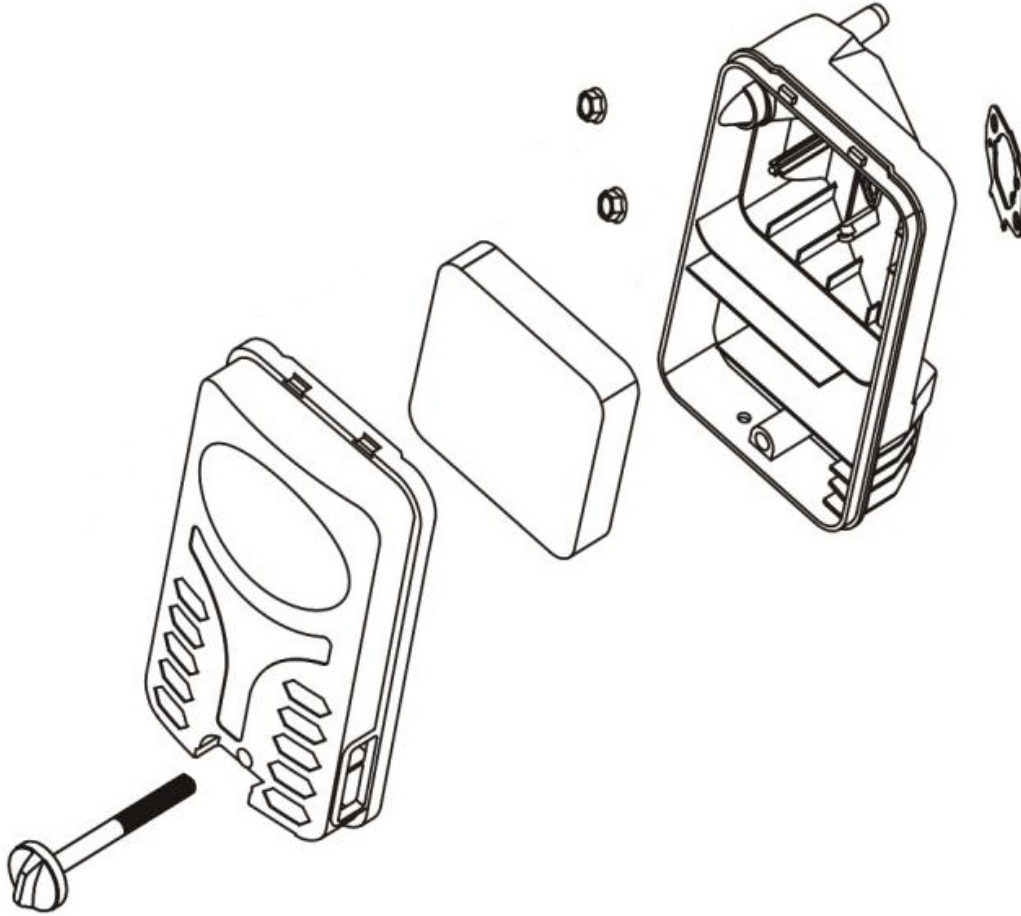


PARTS BREAKDOWN

INVERTER GENERATOR

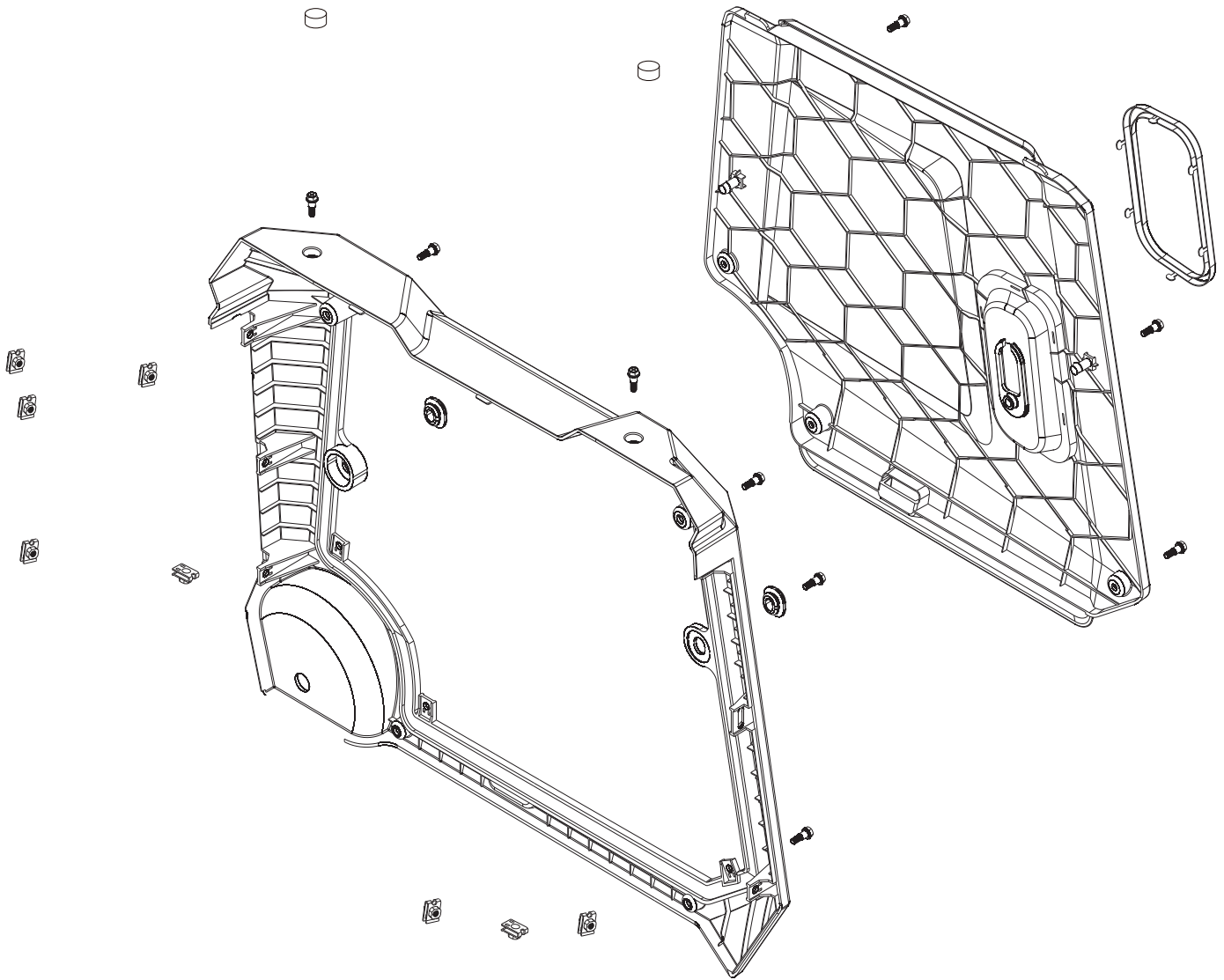
MODEL: PA-GI7500i

AIR CLEANER



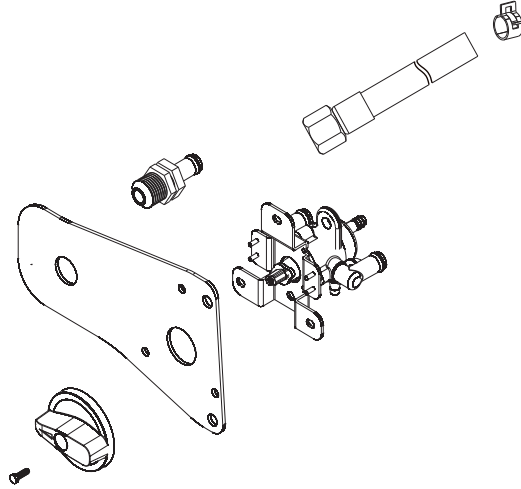
REF #	DESCRIPTION	QTY	PART #
1	AIR CLEANER ASSEMBLY	1	PA-P85561066

RIGHT HOUSING



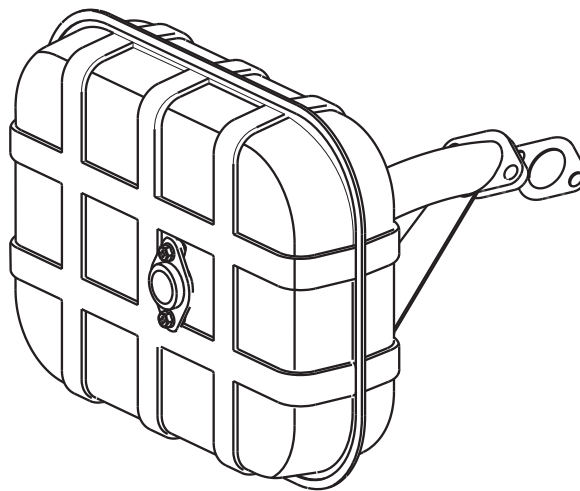
REF #	DESCRIPTION	QTY	PART #
1	EXTERIOR RIGHT COVER	1	PA-P85561120

FUEL SELECTOR



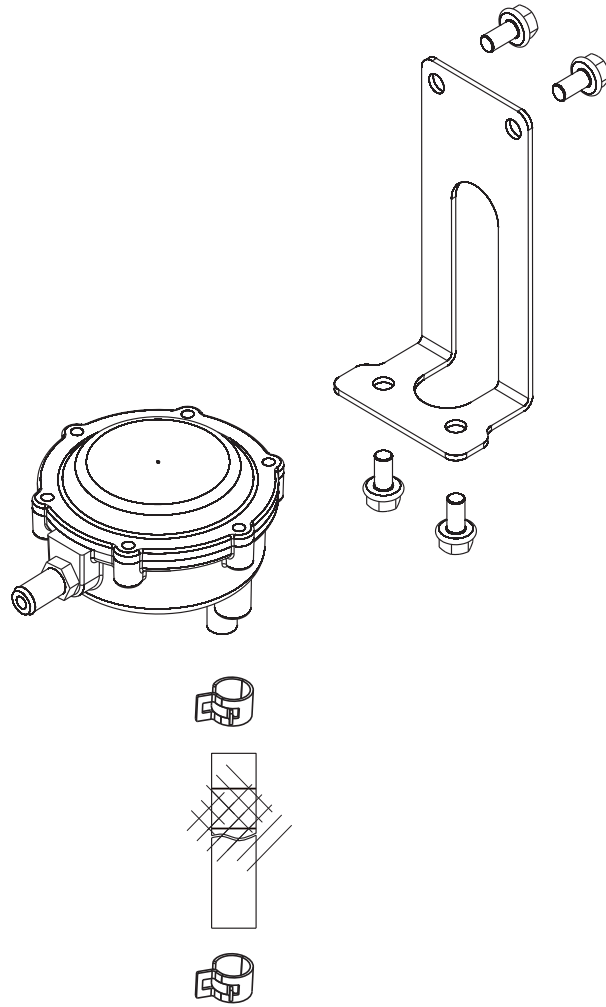
REF #	DESCRIPTION	QTY	PART #
1	FUEL SELECTOR SWITCH	1	PA-P85561.067

MUFFLER PARTS



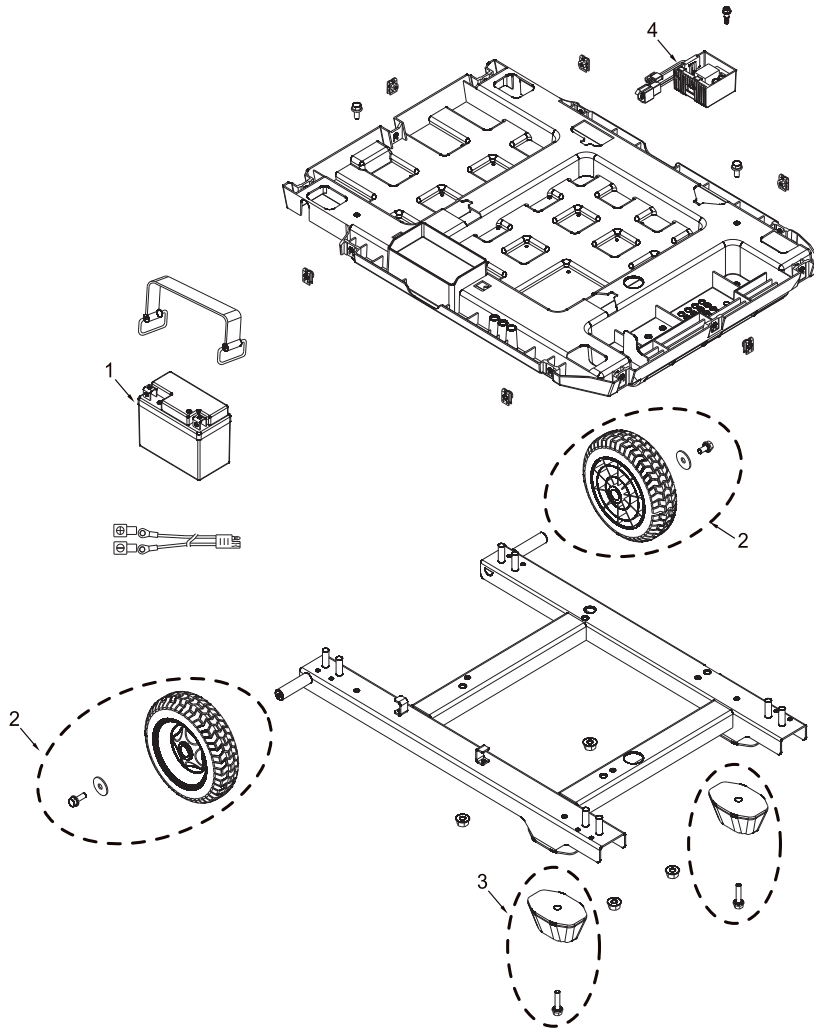
REF #	DESCRIPTION	QTY	PART #
1	MUFFLER ASSEMBLY	1	PA-P85561121

LPG REGULATOR



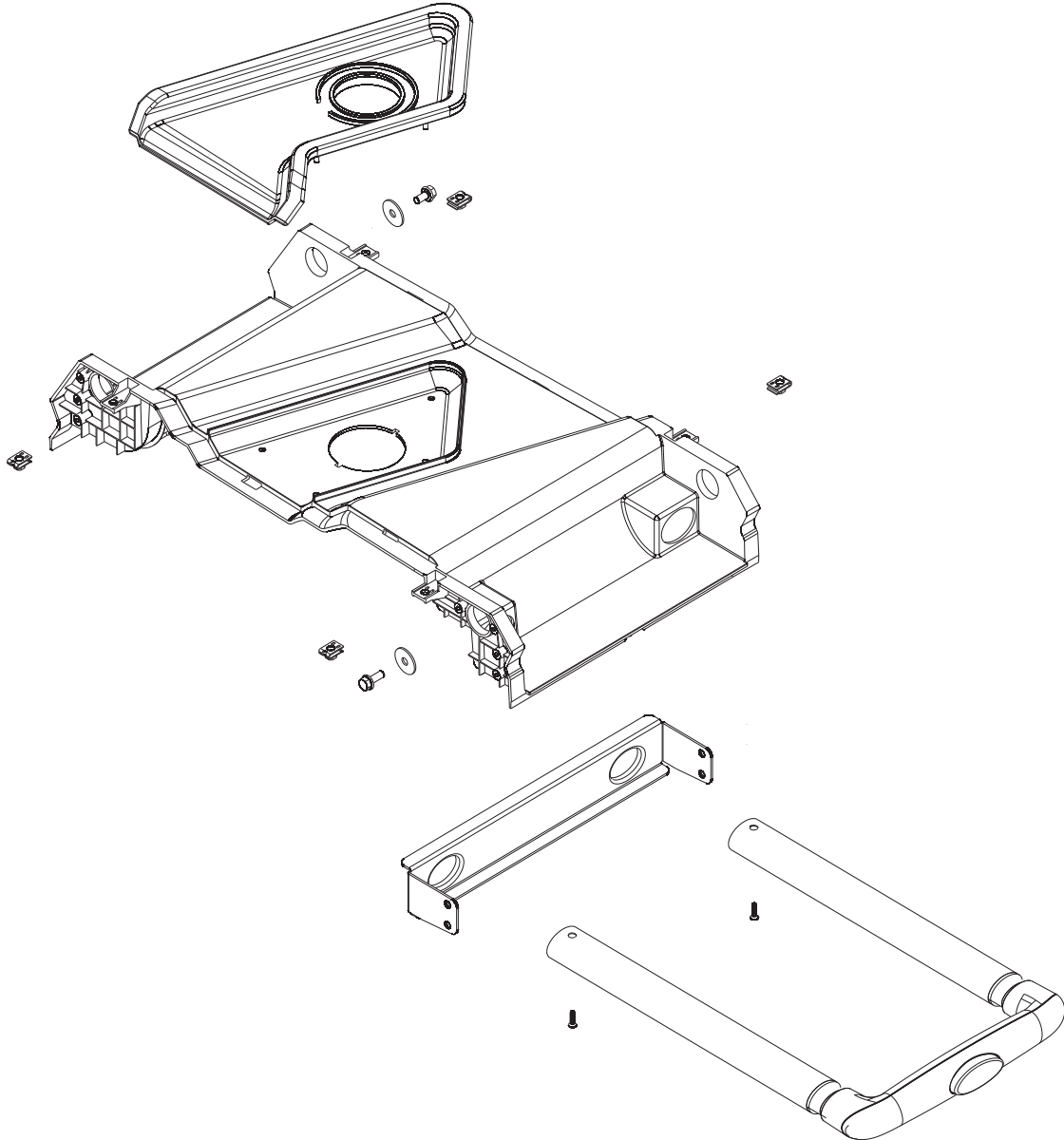
REF #	DESCRIPTION	QTY	PART #
1	PRESSURE REDUCING VALVE	1	PA-P85561068

FLOOR



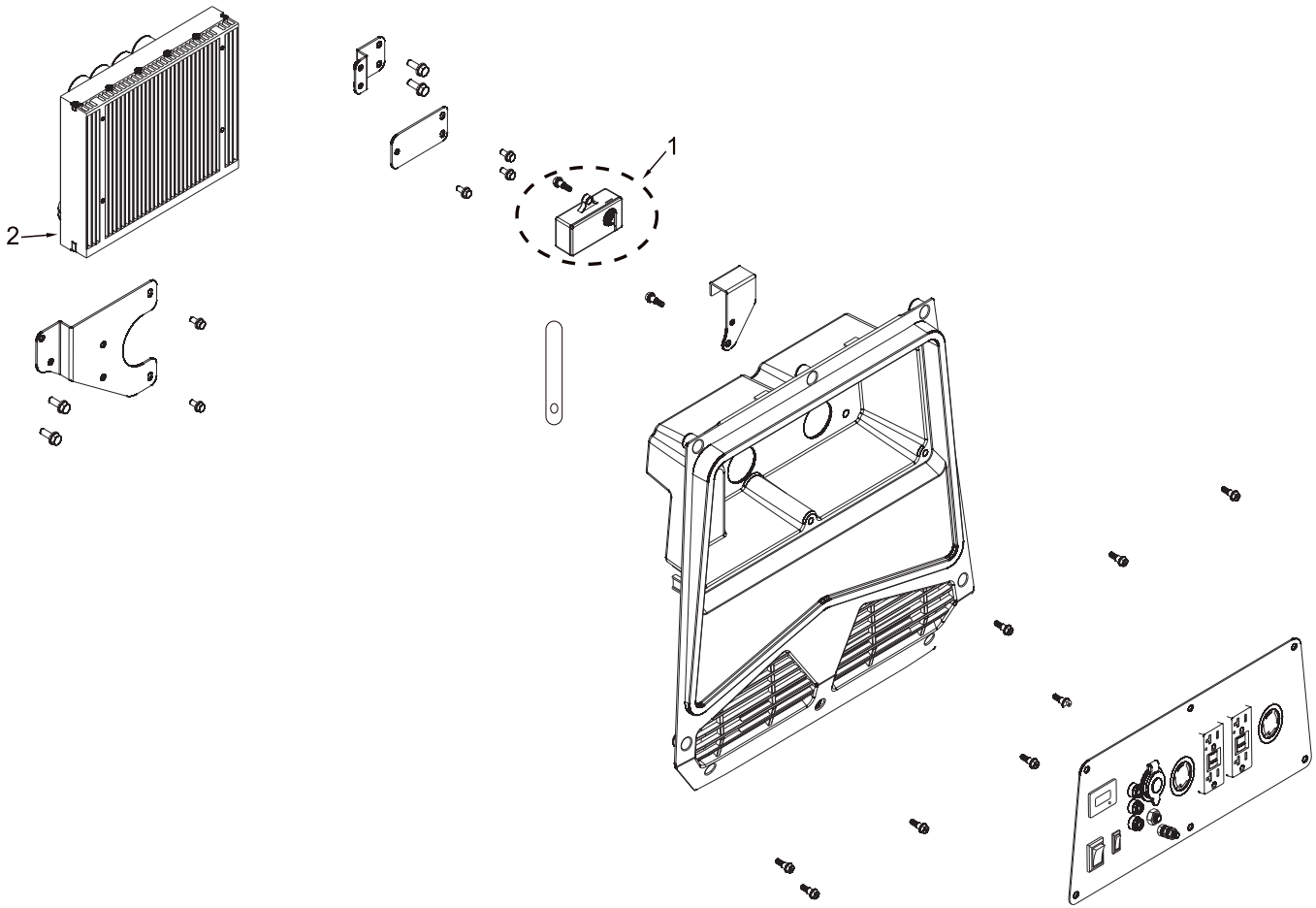
REF #	DESCRIPTION	QTY	PART #
1	LITHIUM BATTERY	1	PA-P85561072
2	WHEEL SET WITH HARDWARE	1	PA-P85561069
3	FOOT SET	1	PA-P85561122
4	VOLTAGE REGULATING RECTIFIER	1	PA-P85561103

PULL ROD/HOUSING



REF #	DESCRIPTION	QTY	PART #
1	PULL HANDLE ASSEMBLY	1	PA-P85561070

PANEL



REF #	DESCRIPTION	QTY	PART #
1	CO ALARM	1	PA-P85561048
2	INVERTER	1	PA-P85561073

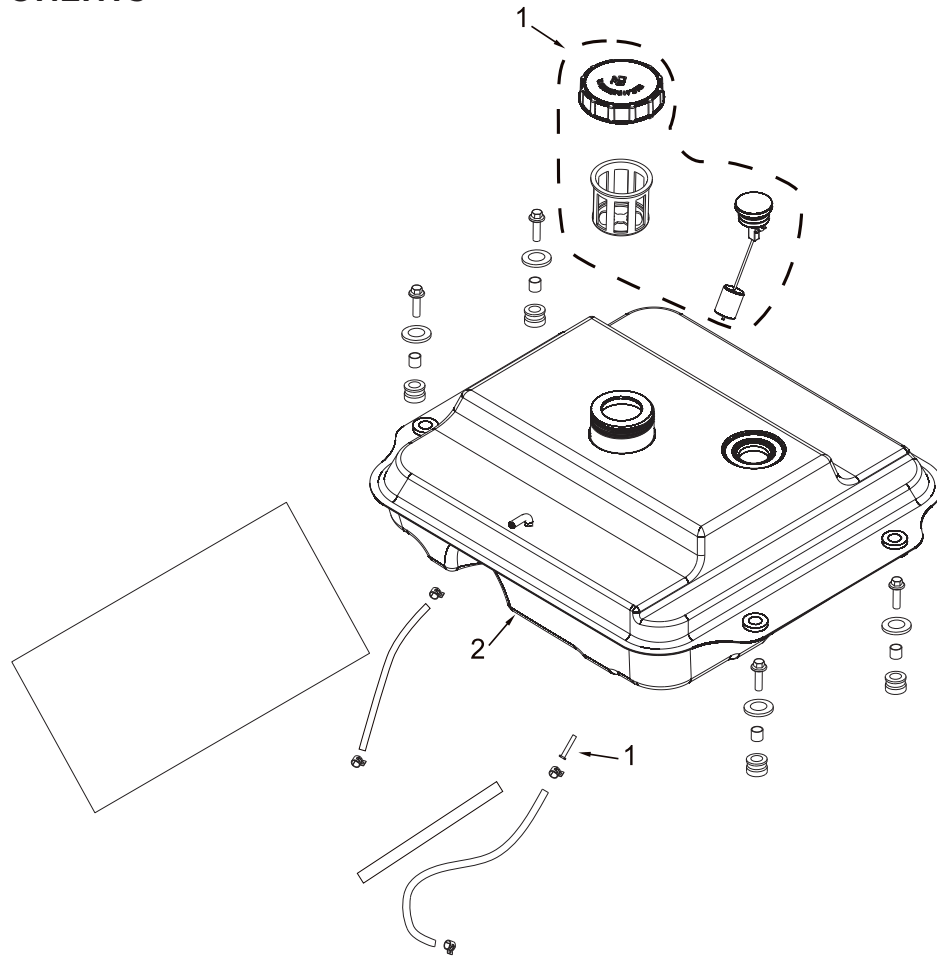


PARTS BREAKDOWN

INVERTER GENERATOR

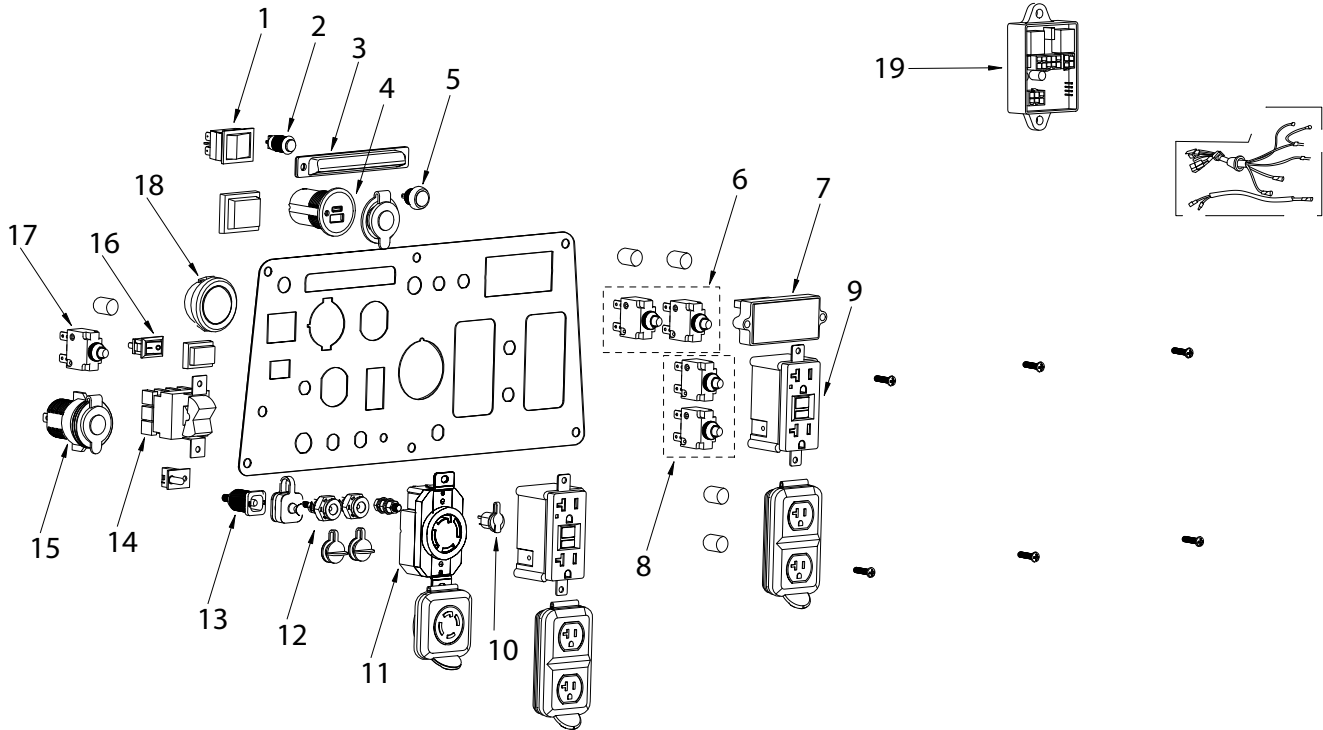
MODEL: PA-GI7500i

FUEL TANK COMPONENTS



REF #	DESCRIPTION	QTY	PART #
1	FUEL TANK CAP, FILTERS, & GAUGE	1	PA-P85561071
2	TANK	1	PA-P85561124

CONTROL PANEL



REF #	DESCRIPTION	QTY	PART #
1	ENGINE SWITCH	1	PA-P85561151
2	LED SWITCH	1	PA-P85561136
3	LED LIGHT	1	PA-P85561155
4	USB	1	PA-P85561177
5	RESET SWITCH	1	PA-P85561165
6	PROTECTOR 30A	2	PA-P85561149
7	MULTIFUNCTIONAL DIGITAL DISPLAY TABLE	1	PA-P85561164
8	PROTECTOR 20A	2	PA-P85561141
9	AC RECEPTACLE(GFCI) AC125V/20A	2	PA-P85561146
10	BATTERY CHARGER	1	PA-P85561157
11	AC RECEPTACLE AC125V/250V/30A	1	PA-P85561145
12	PARALLEL SOCKET	2	PA-P85561166
13	PARALLEL SOCKET 50A	1	PA-P85561170
14	VOLTAGE SELECTOR SWITCH	1	PA-P85561143
15	DC12V	1	PA-P85561148
16	IDLE SWITCH	1	PA-P85561153
17	DC THERMAL PROTECTION 8A	1	PA-P85561147
18	ONE-CLICK START SWITCH	1	PA-P85561158
19	ONE-CLICK START MODULE	1	PA-P85561061

patcon[®]

If you need technical assistance call:

1-866-850-6662

(8:00am - 4:30pm PST, Mon - Fri)